

SMD2835, 120leds/m, AC200-240V, 8MM

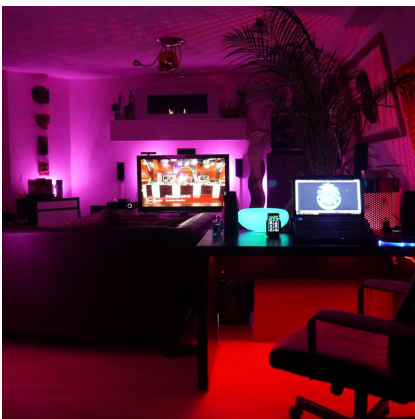
## Features:



- ◆ Lighting source:120leds/m SMD2835
- ◆ Material:superior and heat-resistant 8mm PCB
- ◆ Input voltage:AC200-240V
- ◆ CRI:>80
- ◆ Lifespan:30,000 hours
- ◆ Easy installation, cuttable and joinable.
- ◆ Lm: 80 .

## Application:

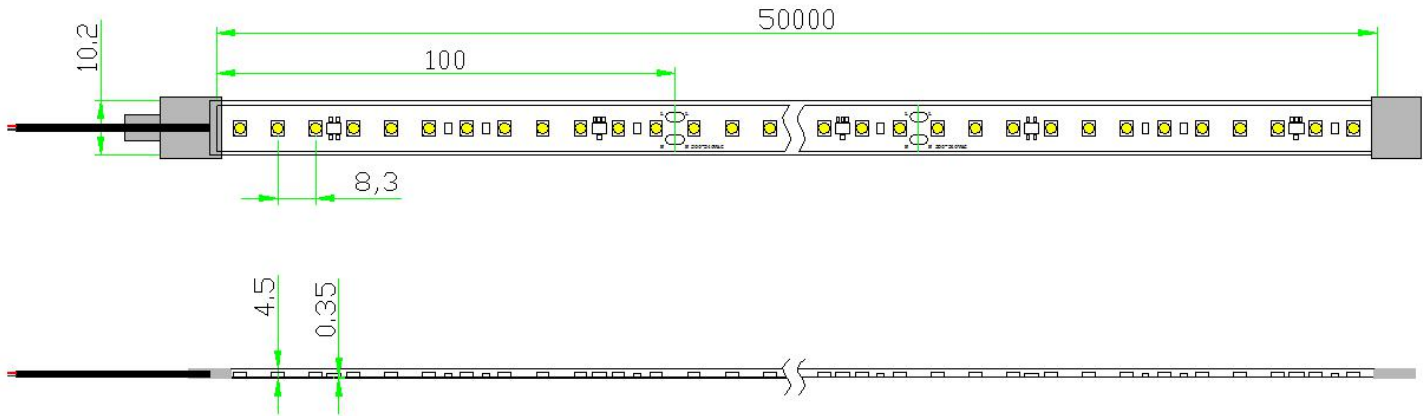
- ◆ Cove lighting. Architectural lights for canopy, corridor, Archway.
- ◆ Backlight or edge lighting for signage, DIY lights for home use.
- ◆ Path and contour marking.
- ◆ Decorative lights for holiday, event, show, exhibition.



**Dimension & Circuit Drawings (unit: mm):**

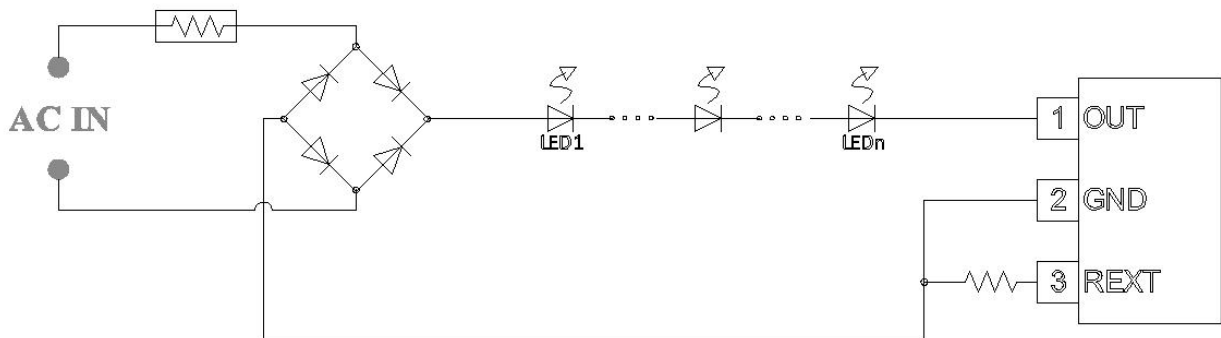
**Dimension**

AC200-240V



**Circuit Drawings**

AC200-240V





### Electrical Parameters:

Product Size(mm)	50000*10*4.5
LED Quantity(per meter)	120 PCS
LED Type	SMD2835
Input Voltage	AC200-240V
Current(Amps/m)	0.064A
Min Cuttable Length(mm)	100
Beam Angle	120°
Max. Power Consumption(W/meter)	15W
Operating Temperature	-25° C ~ +45° C
Storage Temperature	-30° C ~ +80° C
Estimated Life	30,000 hrs
Certifications	CE & RoHS

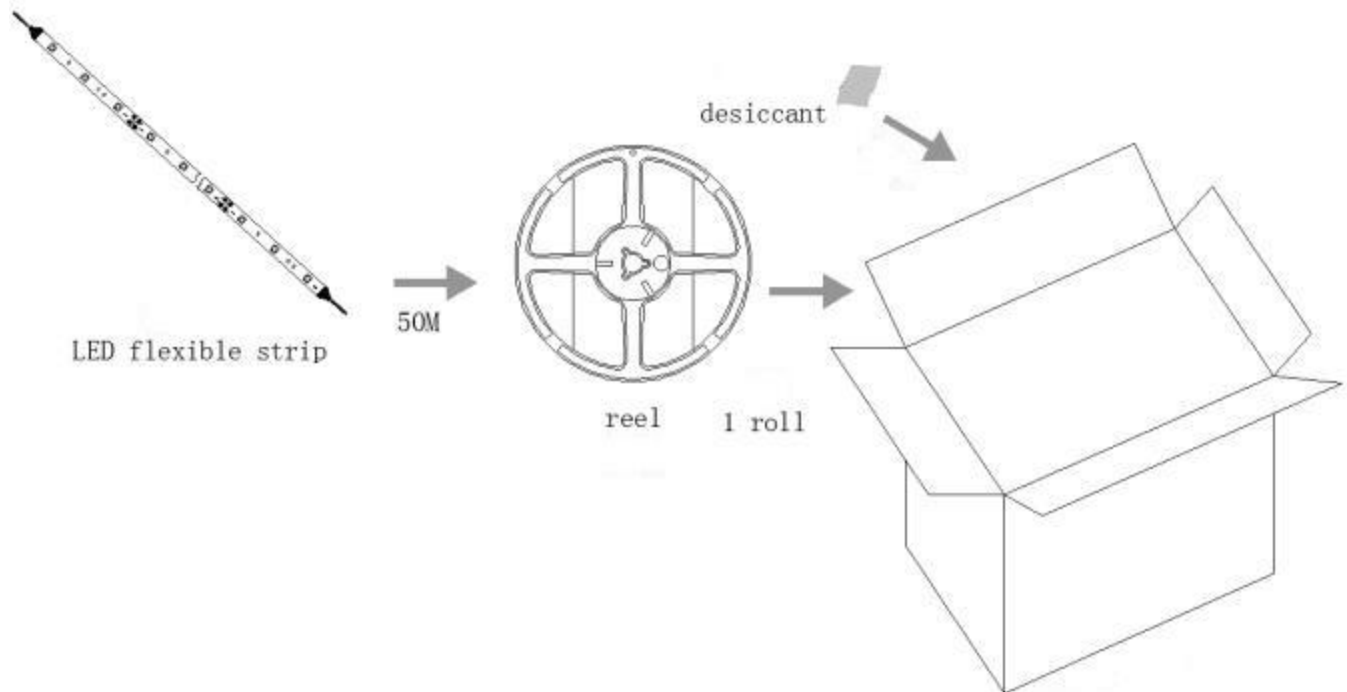
### Optical Parameters:

#### CRI80

Color	CCT	Lumen/meter	IP
Warm White	2700K	1360LM	IP67
Warm White	3000K	1400LM	
Natural white	4000K	1540LM	
Cool white	6000K	1498LM	

## Packing:

---



## Warning:

---

- 1).The LED strips itself and all its components could not be mechanically stressed.
- 2).Installation or re-assembling must not damage or destroy circuit board.
- 3).Installation of LED strip (with transformer) must conform to all applicable electrical and safety standards, and must be operated by the qualified personnel.
- 4).Please follow the correct electrical polarity before connection. Wrong polarity may destroy the LED strips.
- 5).For safety, cable of product should be moved and replaced by the manufacturer, agent or other authorized person.
- 6).Please refer to the instructions before installation.
- 7).For safety, no touch the **AC** terminal.
- 8).Any acidic or alkaline substance is forbidden.
- 7).LED strips must be installed in a suitable environment. It is the user's responsibility to provide suitable protection against corrosive agents, such as moisture and condensation and other harmful elements.